

4.5 METER HOOK-UPS

4.5.1 SPECIAL TUBING TERMINATION

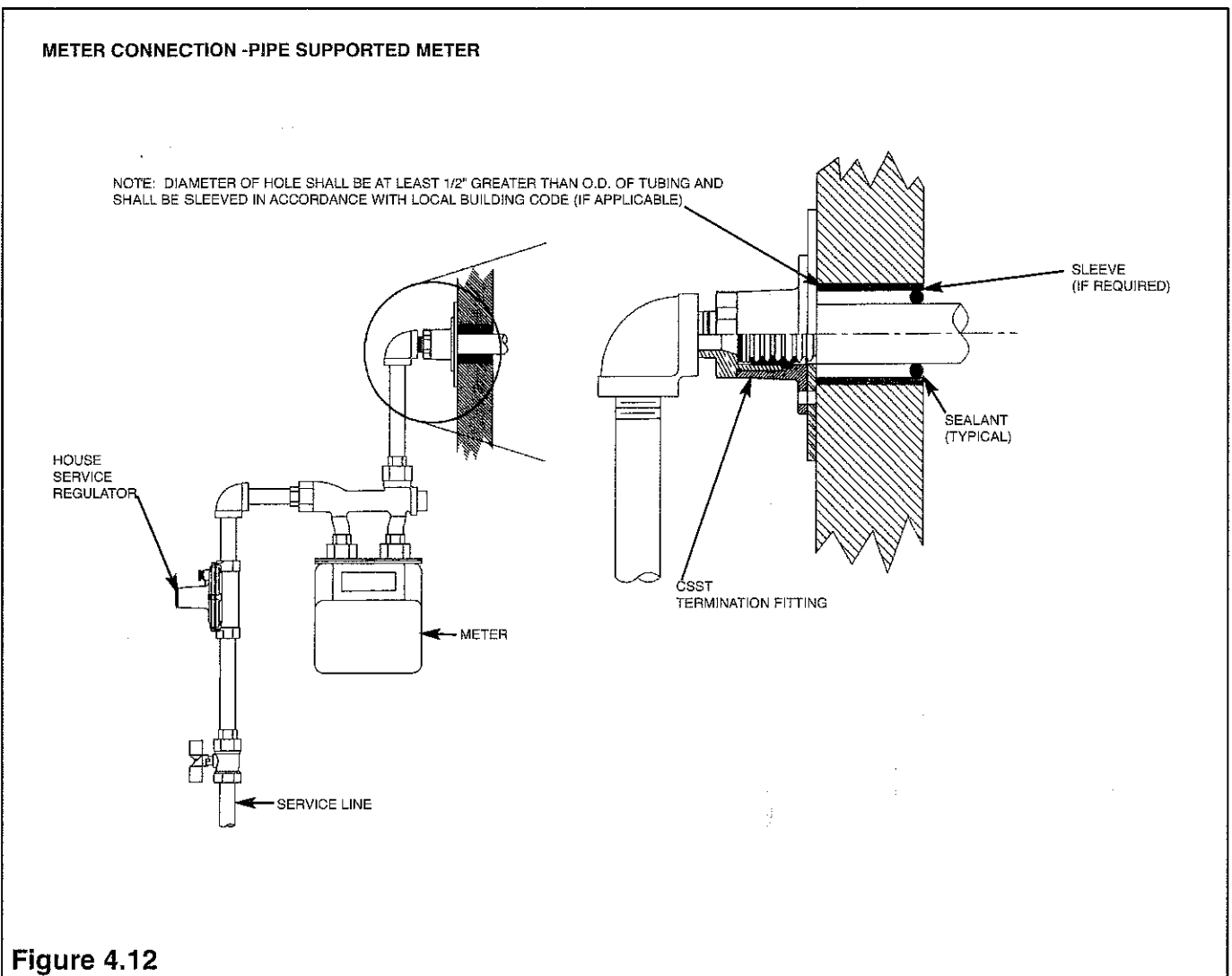
- Meters which depend on the service and house piping for support shall not be directly connected outdoors with WARDFLEX. As shown in Figures 4.12 & 4.13, steel pipe shall be used to connect the meter outlet to the Outdoor Termination Fitting on the exterior wall of the structure or to a transition from pipe to WARDFLEX located inside the structure.

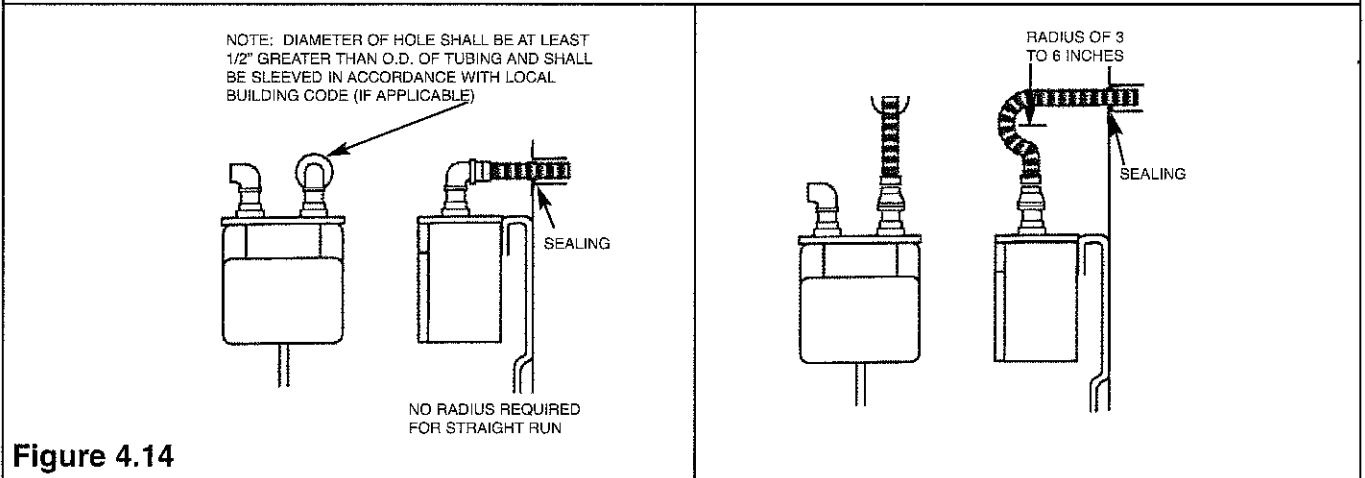
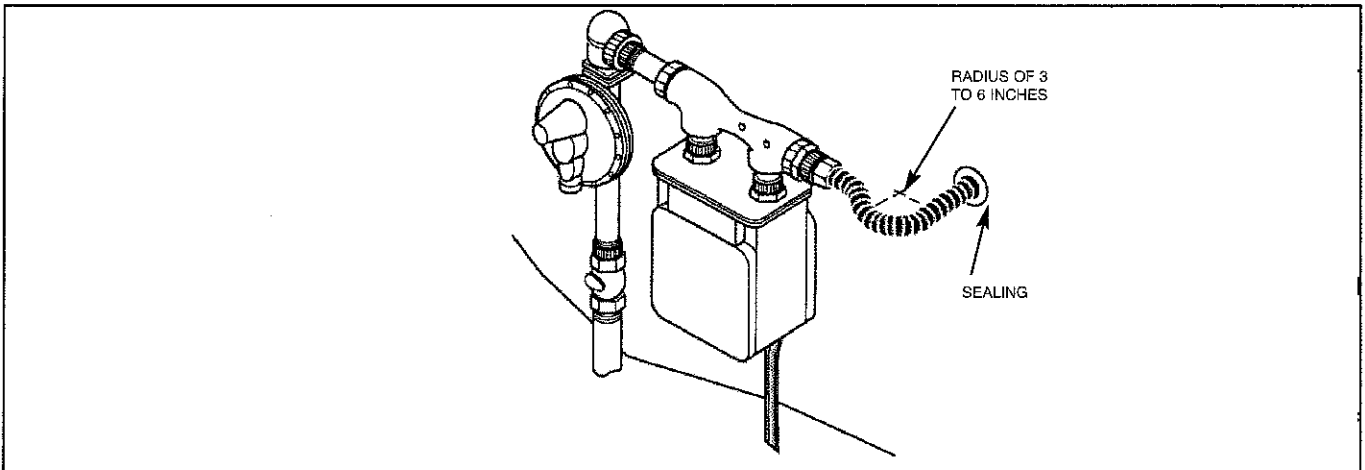
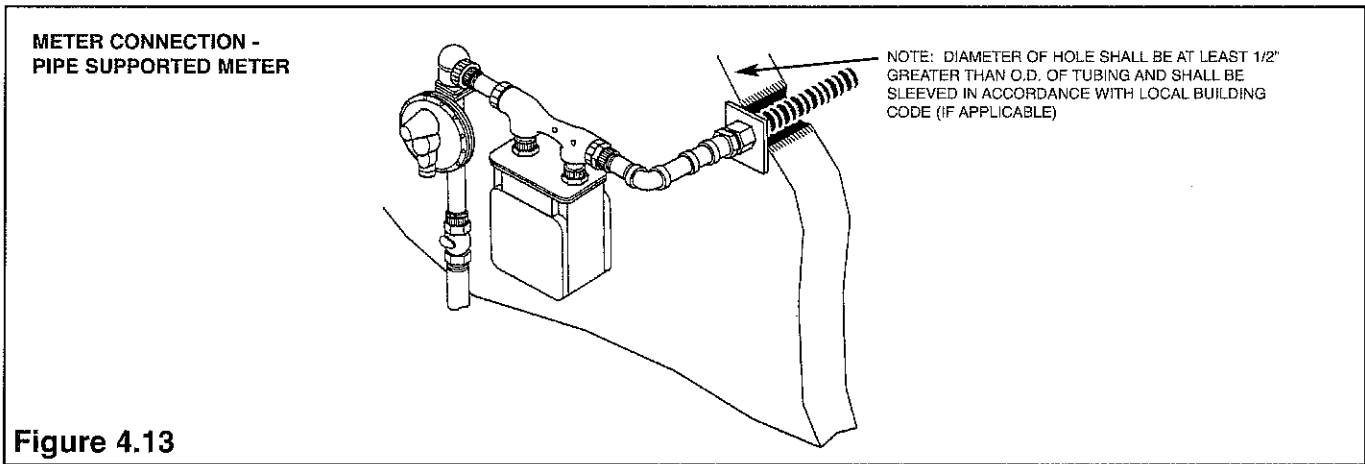
4.5.2 DIRECT CONNECTION

- Meters which are independently supported with a bracket may be directly connected outdoors with WARDFLEX as shown in Figure 4.14. If practical, direct connections shall include a 3 to 6 in. loop of tubing to accommodate differential settling and meter movement.

- No mechanical protection is required for outdoor meter connections higher than 6 ft.

NOTE: Consult local code authority.





4.6 APPLIANCE CONNECTIONS

The termination fittings shall be securely fastened in place during rough installation. Figure 4.15 presents three mounting methods for the termination fittings. These methods shall be used for both fixed and moveable appliances. For fixed appliances, the tubing shall terminate at the gas appliance shut-off valve. The tubing must be routed through a stripwound conduit which passes through the wall board (See Figure 4.16).

Each termination, including a valve or tubing fitting, shall be capped immediately after installation and uncapped when the gas equipment is connected. This allows for pressure testing after rough installation.

4.6.1 TERMINATION FITTINGS FOR APPLIANCE CONNECTOR

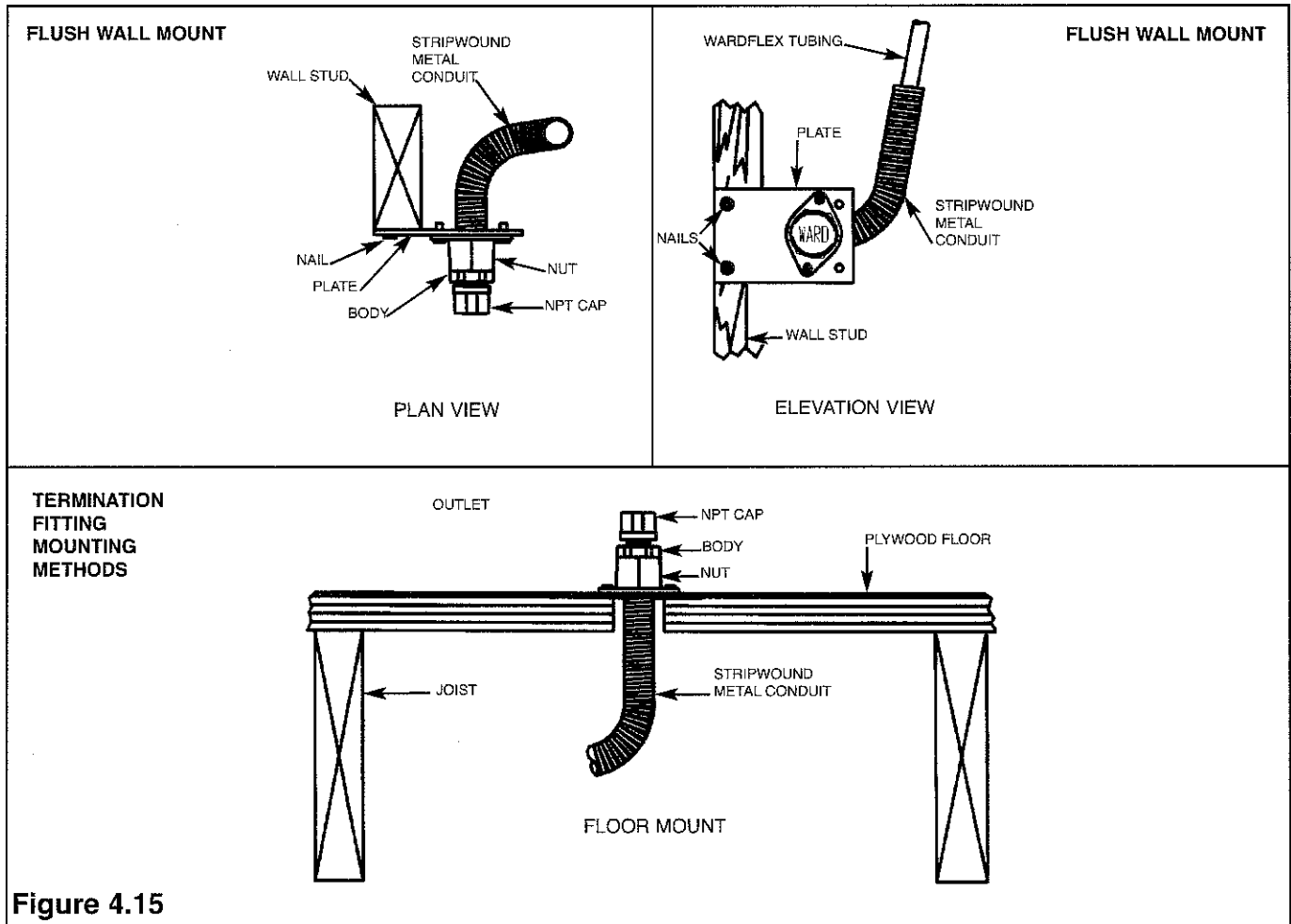


Figure 4.15

4.6.2 DIRECT CONNECTION

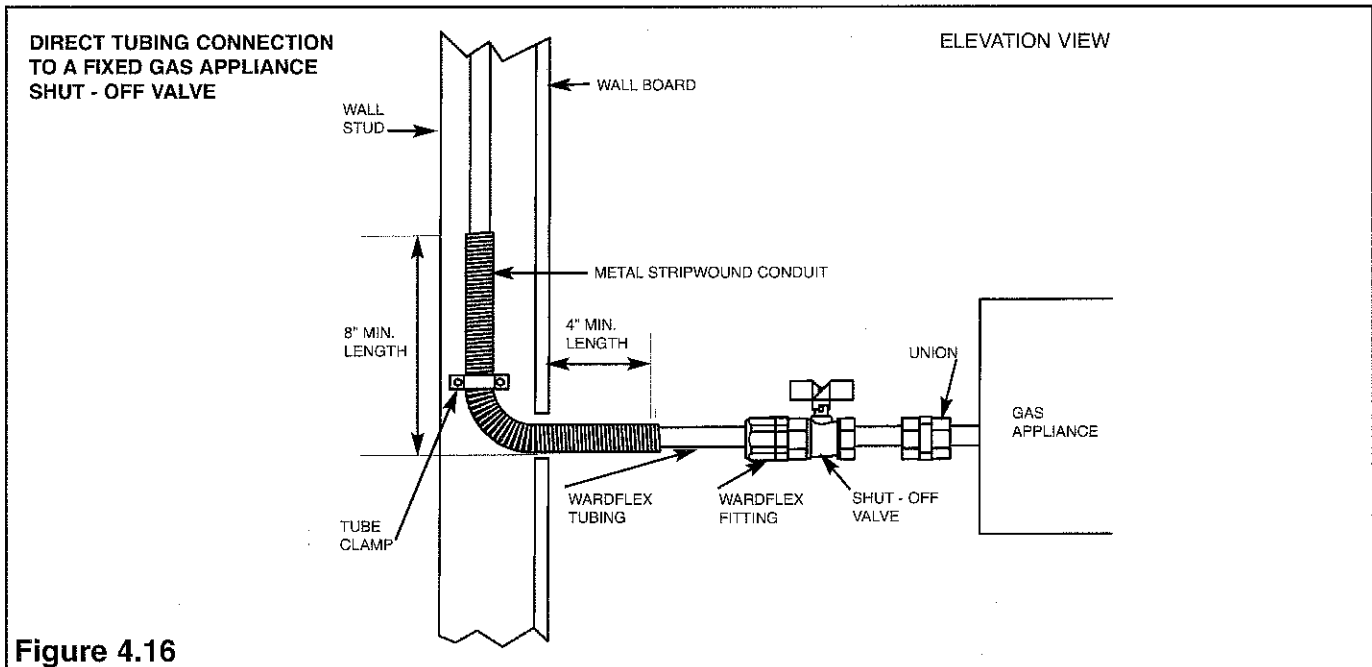


Figure 4.16