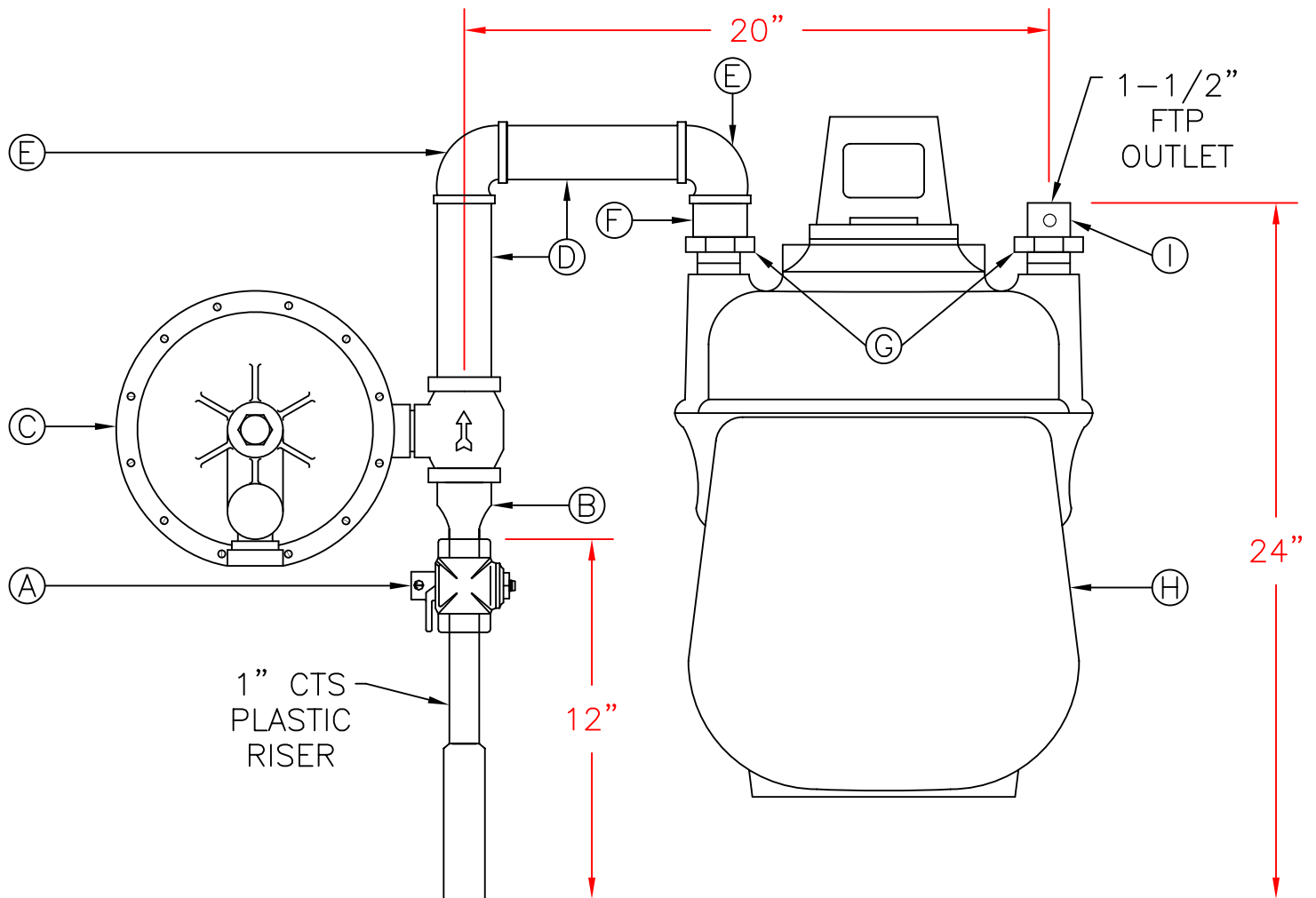


STANDARD METER SETTING

800-2



NOTES

**FOR 60 PSIG SYSTEMS USE U-143
 DISTANCE FROM BUILDING: 12"

ALL DIMENSIONS ARE APPROXIMATE

BILL OF MATERIALS

- A: (1) 3/4" LOCKWING VALVE
- B: (1) 3/4" X 1-1/2" SWAGE NIPPLE
- C: (1) U-142 REGULATOR
- D: (2) 1-1/2" X 6" NIPPLE
- E: (2) 1-1/2" 90° ELL
- F: (1) 1-1/2" SWIVEL
- G: (2) METER NUTS
- H: 800 T.C. METER
- I: (1) 1-1/2" INSULATED MOBIUS SWIVEL

HIGH PRESSURE METER SETTING
 OUTLET PRESSURE: 2 PSIG

DATE: 02/25/09 DWG. BY: M.A.T.
 DATE: 05/11/02 DWG. BY: R.A.M.
 DATE: 01/14/97 DWG. BY: K.L.F.
 APPROVED BY: C.H.P.