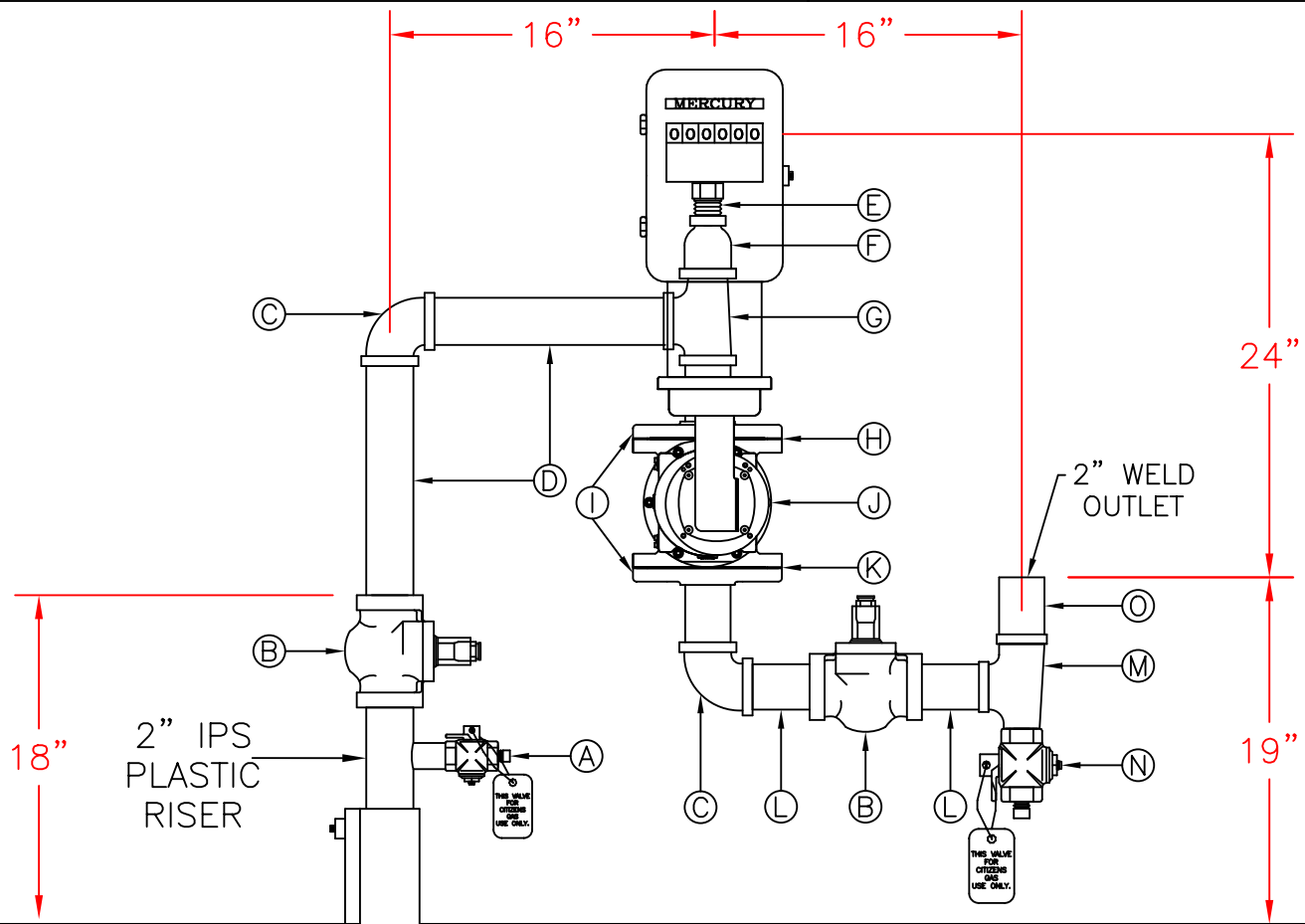


STANDARD METER SETTING

5M-LINE



BILL OF MATERIALS

- A: (1) 1" LOCKWING VALVE
- B: (2) 2" LUBRICATED PLUG VALVE (THREADED)
- C: (2) 2" X 12" NIPPLE
- D: (2) 2" 90° ELL
- E: (1) 8" THERMOWELL
- F: (1) 2" X 1" REDUCER
- G: (1) 2" STREET TEE
- H: (1) 4" MESH IN-LINE SCREEN
- I: (2) 4" X 2" P.W. FLANGE
- J: 5M-175 T.C. ROTARY METER
- K: (1) 2" GASKET
- L: (2) 2" X 4" NIPPLE
- M: (1) 2" X 1-1/2" X 2" REDUCING STREET TEE
- N: (1) 1-1/2" LOCKWING VALVE (W/ BARREL LOCK , SCREWED, PLUG & TAG)
- O (1) 2" X 4" NIPPLE, ONE END THREADED

NOTES

DISTANCE FROM BUILDING: 12"
ALL DIMENSIONS ARE APPROXIMATE

HIGH PRESSURE METER SETTING
OUTLET PRESSURE: LINE

DATE: 02/25/09 DWG. BY: M.A.T.
DATE: 01/19/99 DWG. BY: C.H.P.
APPROVED BY: M.J.S.