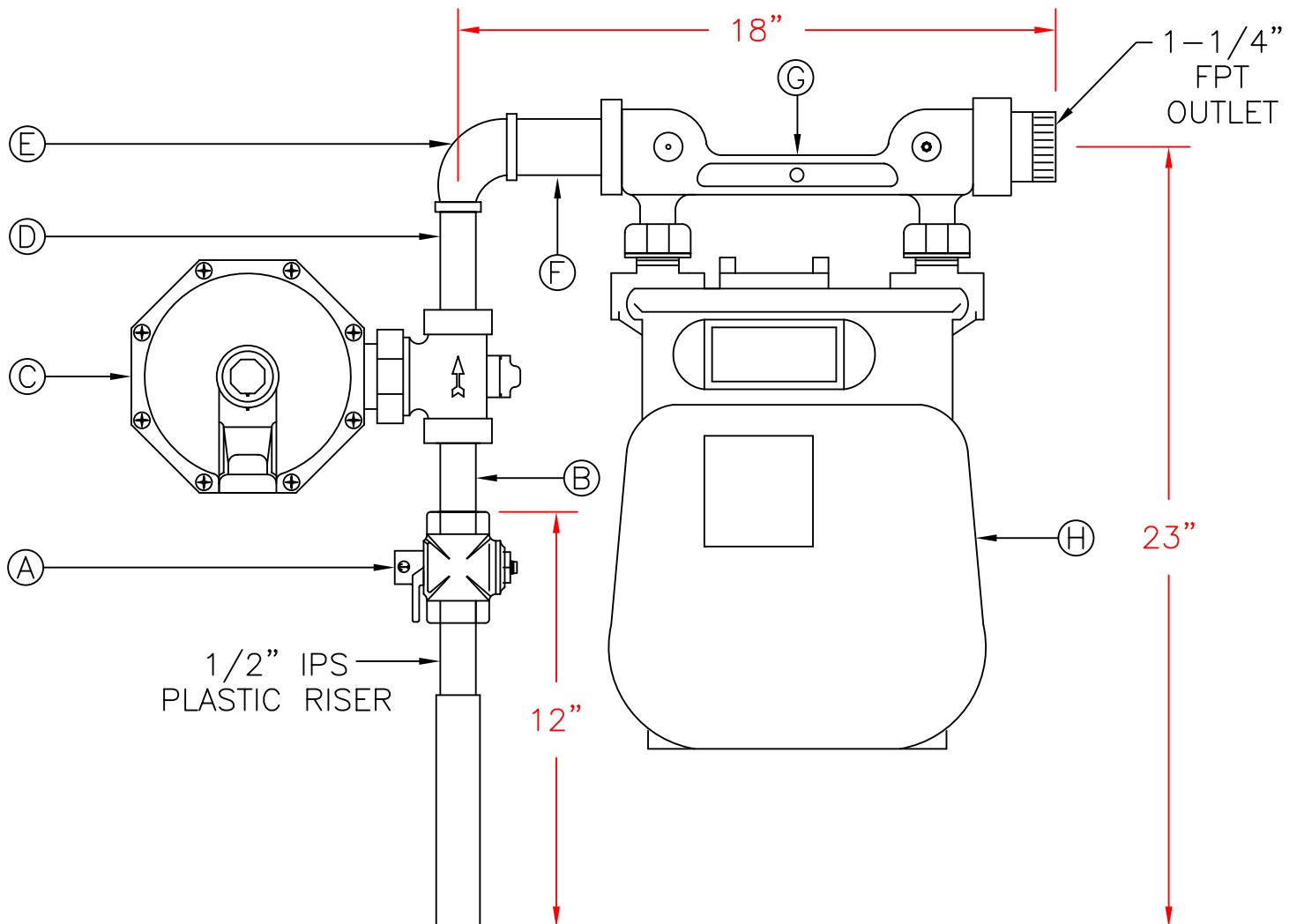


# STANDARD METER SETTING

425-5



## NOTES

\*\*FOR 60 PSIG SYSTEM USE U-141

DISTANCE FROM BUILDING: 12"

ALL DIMENSIONS ARE APPROXIMATE

### BILL OF MATERIALS

- A: (1) 3/4" LOCKWING VALVE
- B: (1) 3/4" X 2" NIPPLE
- C: (1) U-141 REGULATOR\*\*
- D: (1) 3/4" X 3" NIPPLE
- E: (1) 1-1/4" X 3/4" 90° REDUCING ELL
- F: (1) 1-1/4" X 3" NIPPLE
- G: (1) INSULATED METER BAR
- H: 425 T.C. METER

HIGH PRESSURE METER SETTING  
OUTLET PRESSURE: 5 PSIG

DATE: 02/25/09 DWG. BY: M.A.T.  
DATE: 05/12/95 DWG. BY: C.H.P.  
APPROVED BY: M.J.S.