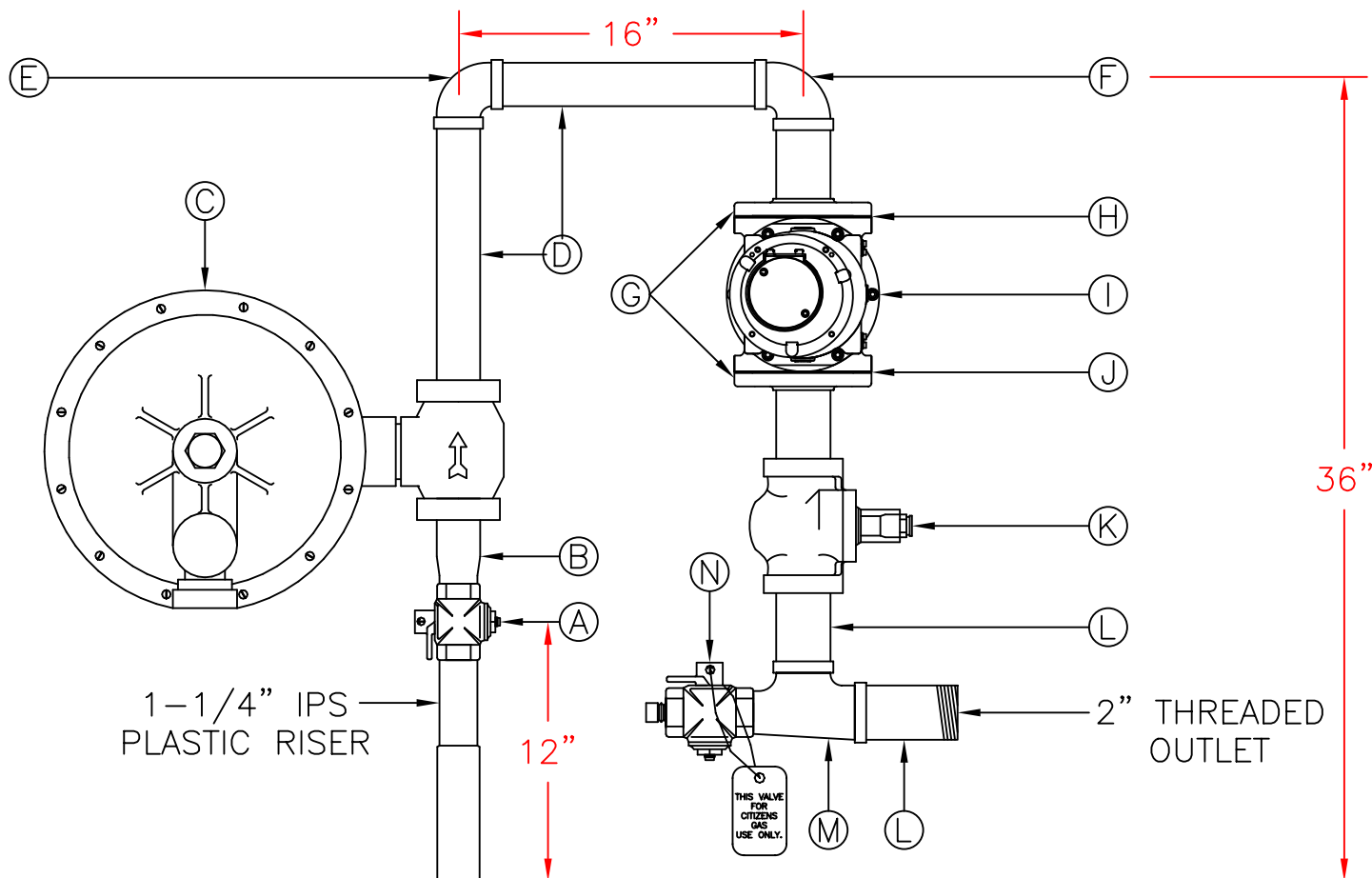


STANDARD METER SETTING

3M-5



BILL OF MATERIALS

- A: (1) 1-1/4" LOCKWING VALVE
- B: (1) 1-1/4" X 1-1/2" SWAGE NIPPLE
- C: (1) U-144 REGULATOR**
- D: (2) 1-1/2" X 12" NIPPLE
- E: (1) 1-1/2" 90° ELL
- F: (1) 1-1/2" X 2" 90° REDUCING ELL
- G: (2) 2" P.W. FLANGE
- H: (1) 2" MESH IN-LINE SCREEN
- I: 3M-175 T.C. ROTARY METER
- J: (1) 2" GASKET
- K: (1) 2" LUBRICATED PLUG VALVE (THREADED)
- L: (2) 2" X 4" NIPPLE
- M: (1) 2" X 1-1/2" X 2" REDUCING STREET TEE
- N: (1) 1-1/2" LOCKWING VALVE (W/ BARREL LOCK , SCREWED, PLUG & TAG)

NOTES

**FOR 60 PSIG SYSTEMS USE U-145
 DISTANCE FROM BUILDING: 12"
 ALL DIMENSIONS ARE APPROXIMATE

HIGH PRESSURE METER SETTING
 OUTLET PRESSURE: 5 PSIG.

DATE: 02/25/09 DWG. BY: M.A.T.
 DATE: 07/14/95 DWG. BY: C.H.P.
 APPROVED BY: M.J.S.