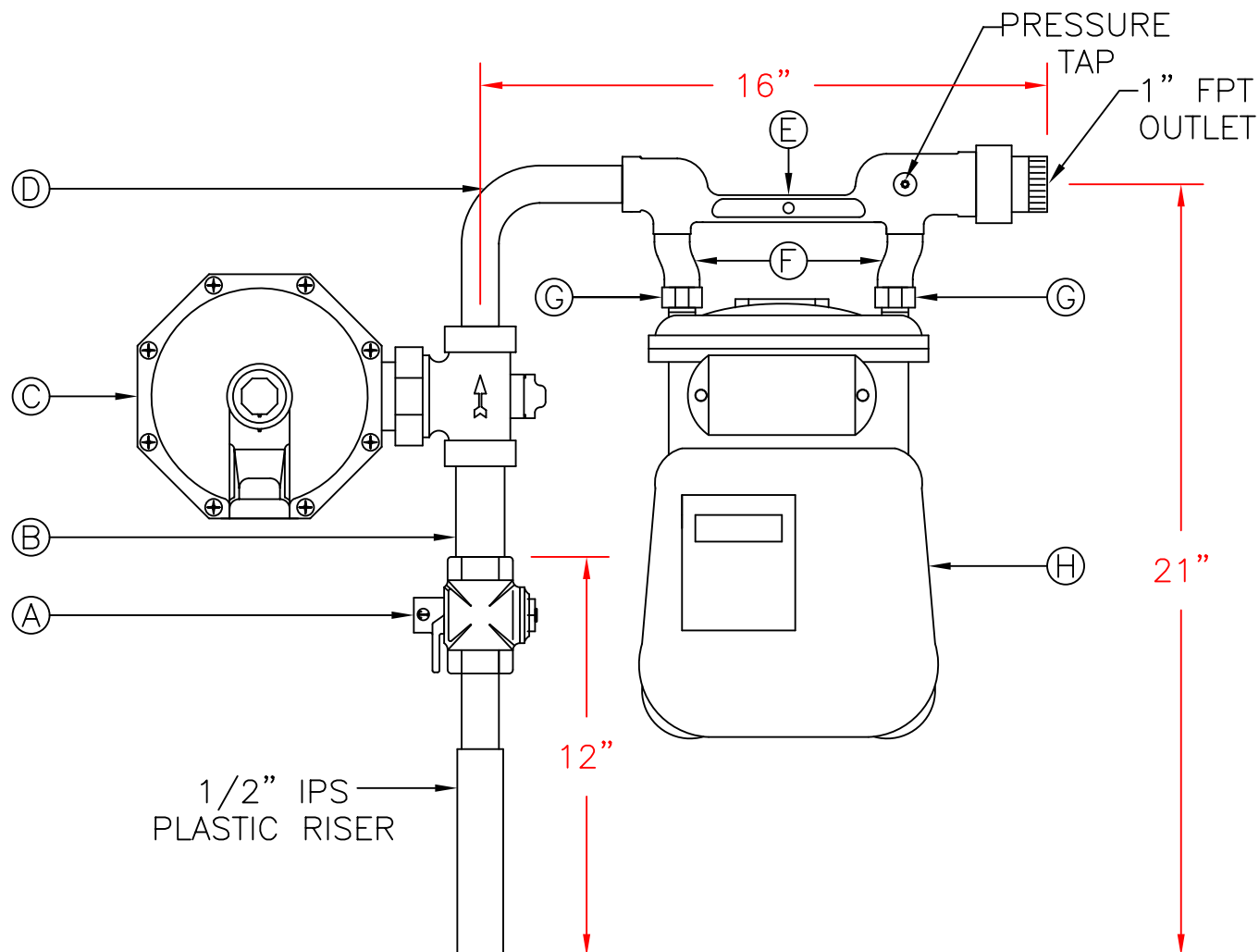


# STANDARD METER SETTING

# 250



### NOTES

\*\*FOR 60 PSIG SYSTEMS USE UD-21  
 DISTANCE FROM BUILDING: 12"  
 ALL DIMENSIONS ARE APPROXIMATE

### BILL OF MATERIALS

- A: (1) 3/4" LOCKWING VALVE
- B: (1) 3/4" X 2" NIPPLE
- C: (1) UD-20 REGULATOR\*\*
- D: (1) 4-1/2" X 4-1/2" X 3/4" METER ELL
- E: (1) INSULATED METER BAR
- F: (2) 3/4" METER SWIVELS
- G: (2) METER NUTS
- H: 250 T.C. METER

HIGH PRESSURE METER SETTING  
 OUTLET PRESSURE: 6" W.C.

DATE: 02/25/09 DWG. BY: M.A.T.  
 DATE: 04/16/02 DWG. BY: R.A.M.  
 DATE: 04/19/95 DWG. BY: C.H.P.  
 APPROVED BY: M.J.S.