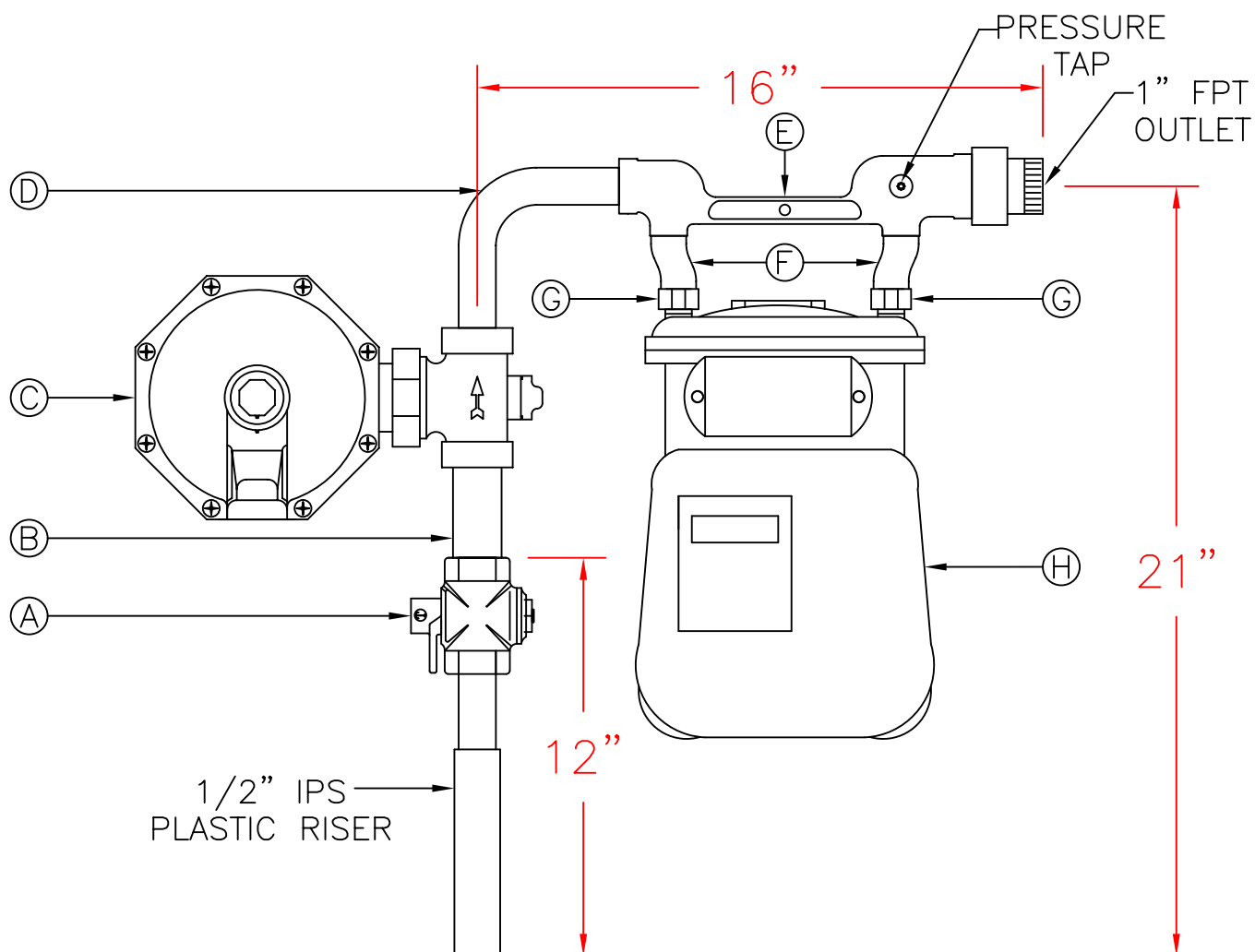


STANDARD METER SETTING

250-2



NOTES

**FOR 60 PSIG SYSTEMS USE U-131
 DISTANCE FROM BUILDING: 12"
 ALL DIMENSIONS ARE APPROXIMATE

BILL OF MATERIALS

- A: (1) 3/4" LOCKWING VALVE
- B: (1) 3/4" X 2" NIPPLE
- C: (1) U-130 REGULATOR**
- D: (1) 4-1/2" X 4-1/2" X 3/4" METER ELL
- E: (1) INSULATED METER BAR
- F: (2) 3/4" METER SWIVELS
- G: (2) METER NUTS
- H: 250 T.C. METER

HIGH PRESSURE METER SETTING
 OUTLET PRESSURE: 2 PSIG

DATE: 02/25/09 DWG. BY: M.A.T.
 DATE: 04/13/02 DWG. BY: R.A.M.
 DATE: 04/19/95 DWG. BY: C.H.P.
 APPROVED BY: M.J.S.