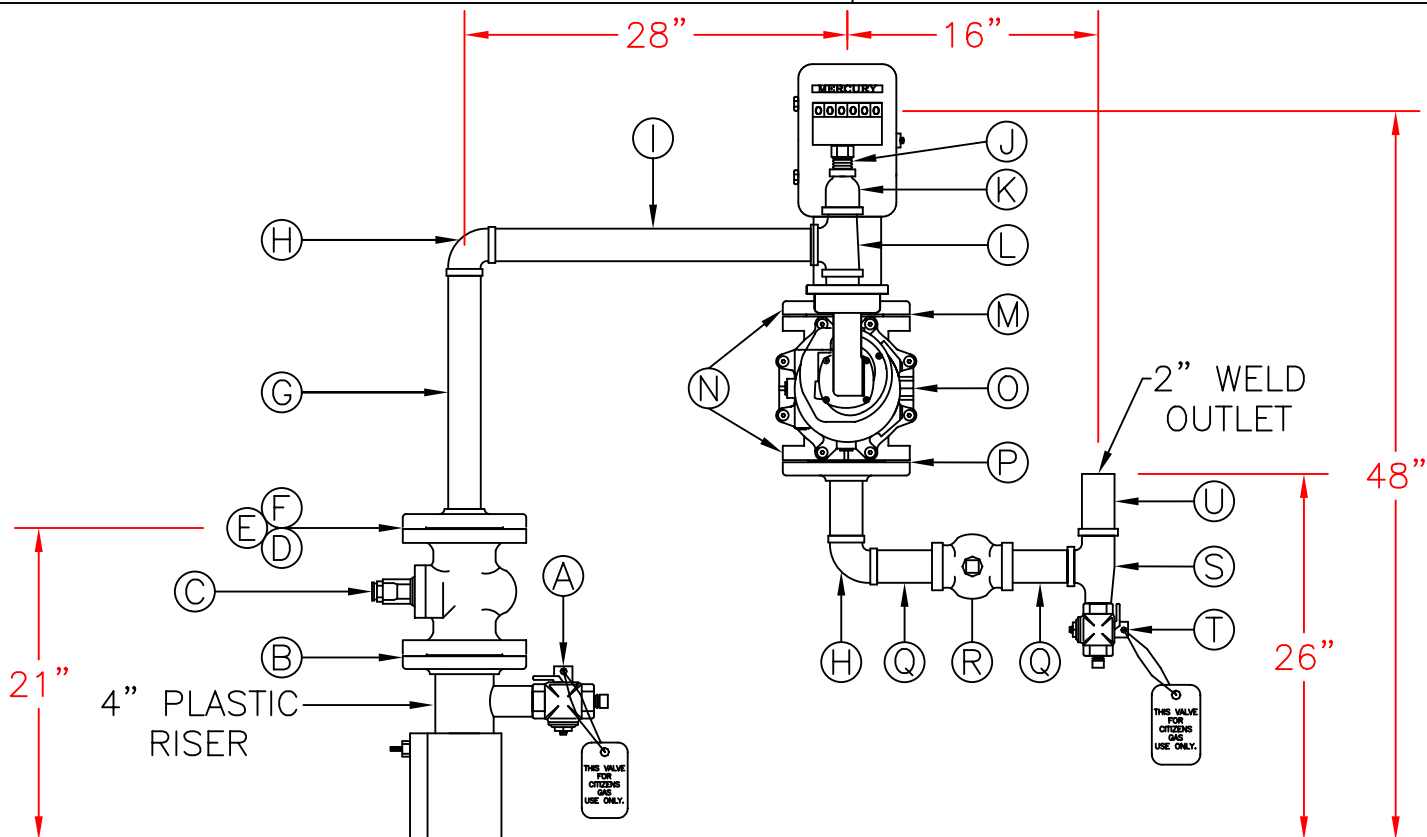


STANDARD METER SETTING

16M-LINE



NOTES

DISTANCE FROM BUILDING: 12"
 ALL DIMENSIONS ARE APPROXIMATE

BILL OF MATERIALS

- | | |
|---|--|
| A: (1) 2" LOCKWING VALVE | M: (1) 4" MESH IN-LINE SCREEN |
| B: (1) 4" GASKET | N: (2) 4" X 2" P.W. FLANGE |
| C: (2) 2" LUBRICATED PLUG VALVE (FLANGED) | O: 11M-175 T.C. ROTARY METER |
| D: (1) 4" INSULATING KIT | P: (1) 4" GASKET |
| E: (1) 4" X 2" REDUCING FLANGE THREADED | Q: (2) 2" X 4" NIPPLE |
| F: (8) 5/8" X 2-1/2" BOLT (W/ NUT) | R: (1) 2" LUBRICATED PLUG VALVE (THREADED) |
| G: (2) 2" X 18" NIPPLE | S: (1) 2" X 1-1/2" X 2" REDUCING STREET TEE |
| H: (2) 2" 90° ELL | T: (1) 1-1/2" LOCKWING VALVE (W/ BARREL LOCK, SCREWED, PLUG & TAG) |
| I: (1) 2" 24" PIPE | U: (1) 2" X 4" NIPPLE, ONE END THREADED |
| J: (1) 8" THERMOWELL | |
| K: (1) 2" X 1" REDUCER | |
| L: (1) 2" STREET TEE | |

HIGH PRESSURE METER SETTING
 OUTLET PRESSURE: LINE

DATE: 02/25/09 DWG. BY: M.A.T.
 DATE: 07/27/95 DWG. BY: C.H.P.
 APPROVED BY: M.J.S.