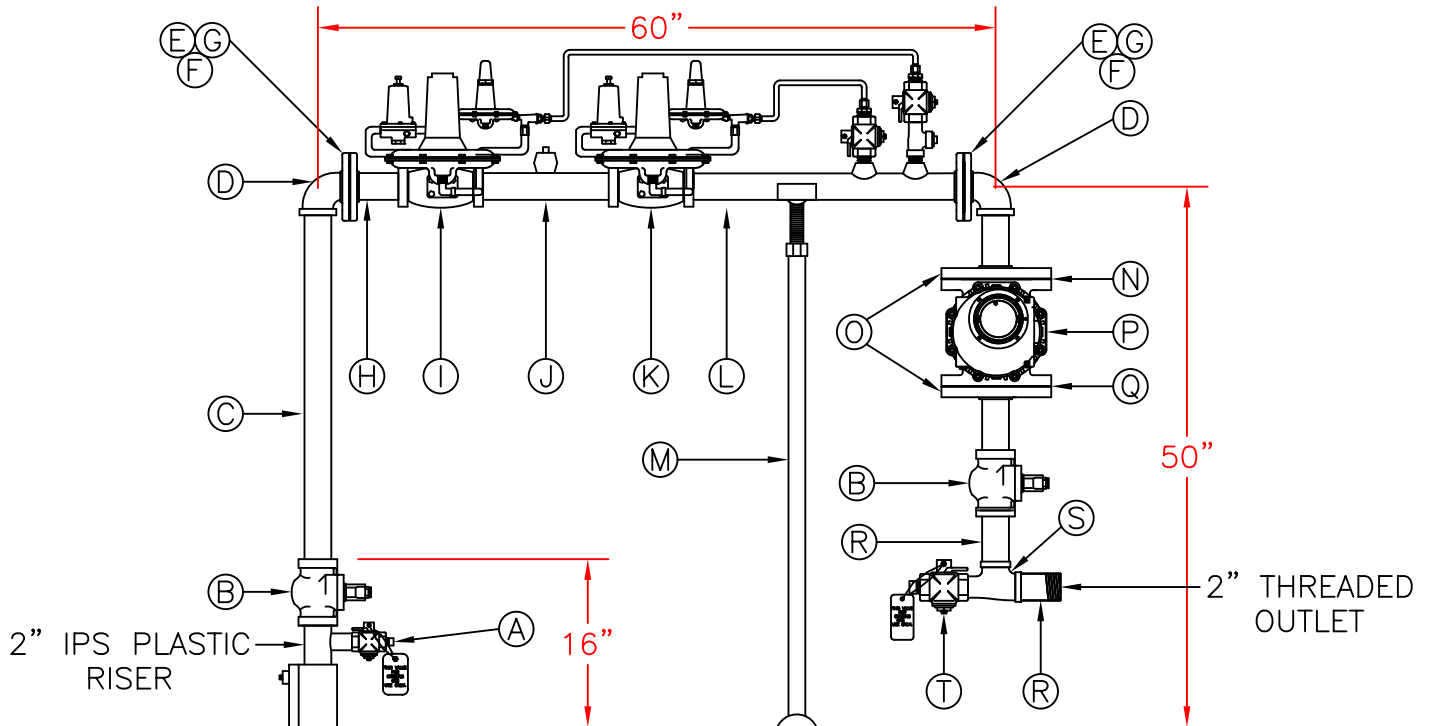


STANDARD METER SETTING

11M-5



NOTES

**FOR 60 PSIG SYSTEMS USE U-173

SET MONITOR AT 1/2 PSIG

DISTANCE FROM BUILDING: 18"

ALL DIMENSIONS ARE APPROXIMATE

CONTROL LINE PACKAGE INCLUDES:

(2) 3/8" X 3/4" NPT SWAGelok MALE CONNECTOR

(2) 3/8" X 1/4" NPT SWAGelok MALE CONNECTOR

(2) 3/4" LOCKWING VLAVE

(1) 3/4" STREET TEE

(2) 1/4" PETE'S PLUG

(1) 3/4" X 1/4" BUSHING

(2) 3/4" X CLOSE NIPPLE

3/8" STAINLESS STEEL TUBING (CUT & BEND TO FIT)

- A: (1) 1" LOCKWING VALVE (W/
BARREL LOCK, SCREWED, PLUG & TAG)
- B: (2) 2" LUBRICATED PLUG VALVE (THREADED)
- C: (1) 2" X 32" PIPE
- D: (2) 2" 90° ELL
- E: (2) 2" THREADED FLANGE
- F: (2) 2" GASKET
- G: (8) 5/8" X 2-1/2" BOLT (W/NUT)
- H: (2) 2" P.W. FLANGE
- I: (1) U-172 MONITOR**
- J: (1) 2" X 12" NIPPLE (W/ 1 THREADOLET)
- K: (1) U-172 OPERATOR**

- L: (1) 2" X 25" PIPE (W/ 2 THREADOLETS)
- M: (1) 4" ADJUSTABLE PIPE SUPPORT
- N: (1) 4" MESH IN-LINE SCREEN
- O: (2) 4"X2" REDUCING P.W. FLANGE
- P: 3M-175 T.C. ROTARY METER
- Q: (1) 4" GASKET
- R: (2) 2" X 6" NIPPLE
- S: (1) 2" X 1-1/2" X 2" REDUCING
STREET TEE
- T: (1) 1-1/2" LOCKWING VALVE (W/
BARREL LOCK, SCREWED, PLUG & TAG)

HIGH PRESSURE METER SETTING
OUTLET PRESSURE: 5 PSIG

DATE: 02/25/09 DWG. BY: M.A.T.
DATE: 08/14/95 DWG. BY: C.H.P.
APPROVED BY: M.J.S.